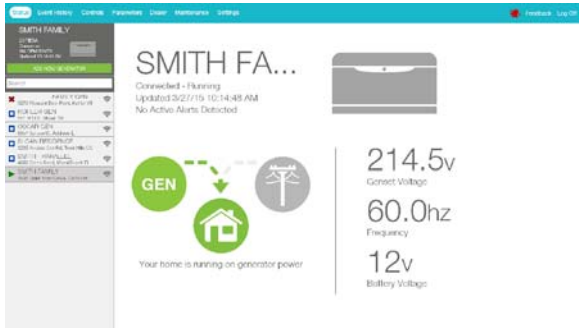


Residential/Light Commercial Generator Accessories

KOHLER Power Systems

Kohler® OnCue® Plus Generator Management System



OnCue Plus Web Application Status View



OnCue Plus Mobile Device App Views

Applicable Models

Use OnCue Plus to monitor and control Kohler Residential and Light Commercial generator sets equipped with the following controllers:

- RDC2 or DC2 Controller
- RDC or DC Controller
- VSC Controller (6VSG variable-speed DC generator set)

OnCue Plus Features

- Use a computer and/or mobile device to monitor your Kohler power system from any location in the world with Internet access.
- OnCue Plus apps for iPhone®, iPad® and Android™ devices are available on the App StoreSM and Google Play™.
- Demo button allows you to preview OnCue Plus screens and operation without creating an account or logging in.
- Simple activation: Enter the generator set serial number, controller password, and activation code into OnCue Plus just once for each generator. Then monitor your power system from your computer and/or mobile devices.
- Monitor your complete Kohler power system, including the generator, RXT automatic transfer switch, Load Control Module (LCM), and Programmable Interface Module (PIM).
- Control home automation when the generator set is paired with a Programmable Interface Module (PIM). Remote control features:
 - Remotely turn appliances, outdoor lighting, storm shutters, or other electrical equipment on or off.
 - The generator does not need to be running in order to use OnCue Plus for remote control of circuits connected to the PIM.
- Monitor your home's power consumption for full power management control at your finger tips.*
- Monitor multiple generator sets. Generator selection panel lists multiple generator systems on one account and allows for the easy selection of each system for detailed monitoring and control.
- View time- and date-stamped event history listing generator set starting and stopping, faults, and notifications. (RDC2)
- Receive alerts by email, text message, or push notification on your mobile device or PC. Customize messages by selecting the events that will prompt a notification to be sent to each recipient.
- Start and stop generator exercises from your computer or mobile device.
- Clear faults from a remote location.
- Controller password and generator set serial number protect against access by unauthorized users.
- All Ethernet communication is authenticated and encrypted for privacy.

Apple, the Apple logo, iPhone and iPad are registered trademarks of Apple Inc., registered in the U.S. and other countries. App Store is a service mark of Apple Inc.

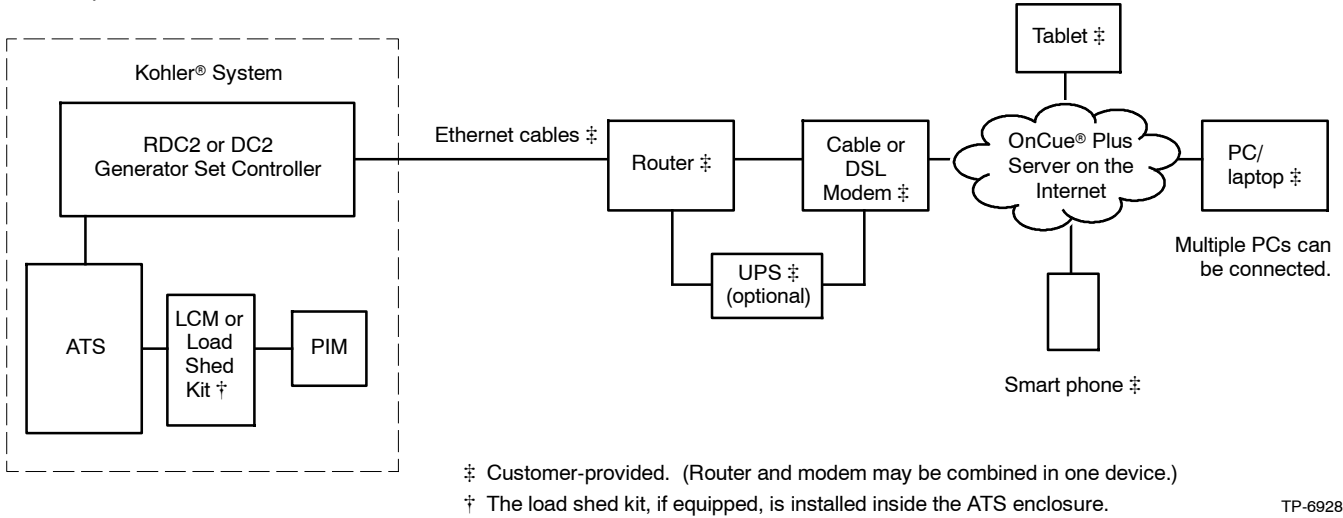
Android and Google Play are trademarks of Google Inc.

* Total power and percent of rated power can be displayed for these generator set models: 10RESV, 12RESV, 38RCL, two 14RESAs paralleled using the Kohler® PowerSync™ Automatic Paralleling Module (APM), or two 20RESAs or 20RESBs paralleled using the APM.

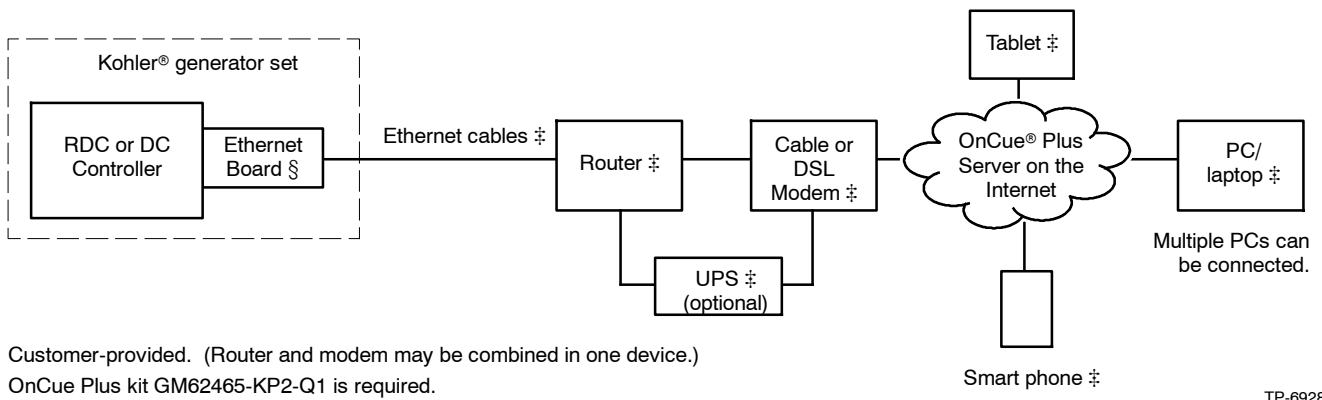
Note: Views shown in this document are samples. Actual views may vary based on customer application and OnCue Plus program updates.

Typical Connections

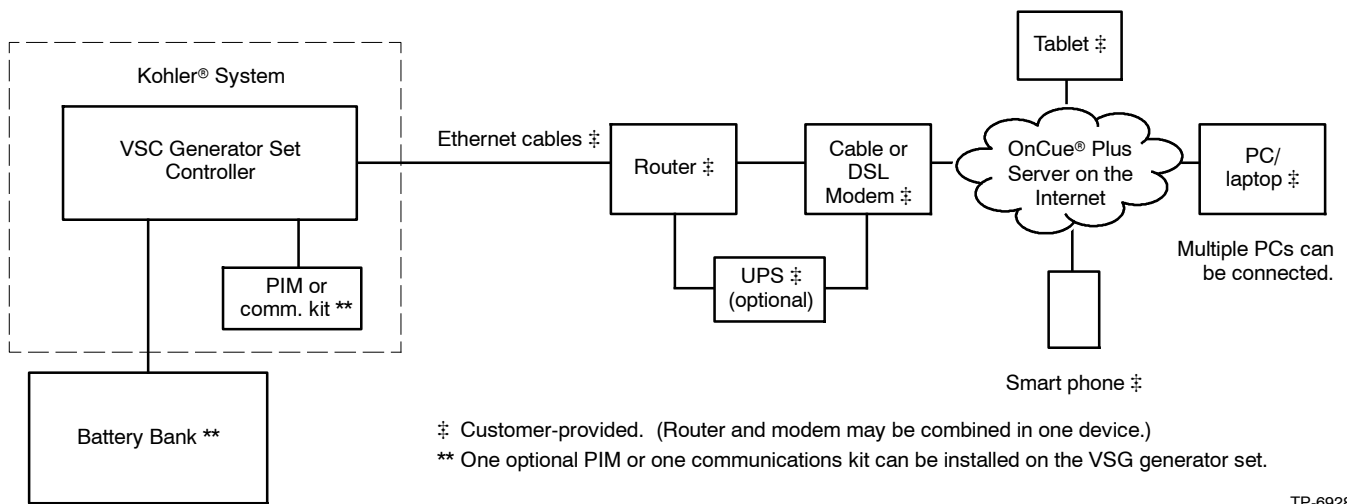
RDC2/DC2 Controller



RDC/DC Controller



VSC Controller



View System Operation Data

Generator Set

- Home is powered by the generator or utility power
- Generator set status: running, standby, shutdown, or off
- Active fault indication
- Generator voltage
- Engine starting battery voltage, VDC
- Frequency, Hz
- Generator event history
- Event details, including description, time, and date
- Exercise type
- Next scheduled exercise date and time (estimated based on last exercise date and time)
- Over 20 different parameters
- Generator power, in kW *
- Engine hours
- Last exercise date and time
- Exercise interval, duration and mode

Load Management

- Loads are added or shed automatically based on generator load
- View connected loads
- On/Off indicators for each circuit indicate status (powered or shed)
- Change load labels to identify the connected circuits

Programmable Interface Module (PIM)

- View relay status
- On/Off indicators show connected circuits
- Change input and output labels to identify connected circuits

6VSG Communications Kit

- View input and output status
- On/Off indicators show connected circuits

Notifications

Events

Email, text messages, and push notifications are sent for the following events. Notifications for selected events can be turned off or on for different recipients. Push notifications can be turned on or off using a smart phone or tablet, and then viewed on a smart phone, tablet, or personal computer.

- Exercise Start
- Exercise Ended
- Generator Running
- Generator Stopped
- Generator Not in Auto/In Auto
- Utility Loss/Restored
- Communication Loss/Restored
- Warnings Active/Cleared (includes maintenance reminders)
- Shutdowns Active/Reset

Remote Control/Home Automation

Generator Set

- Start/stop exercises remotely
- Clear or reset faults remotely
- Manage exercise interval, duration and mode

Programmable Interface Module (PIM)

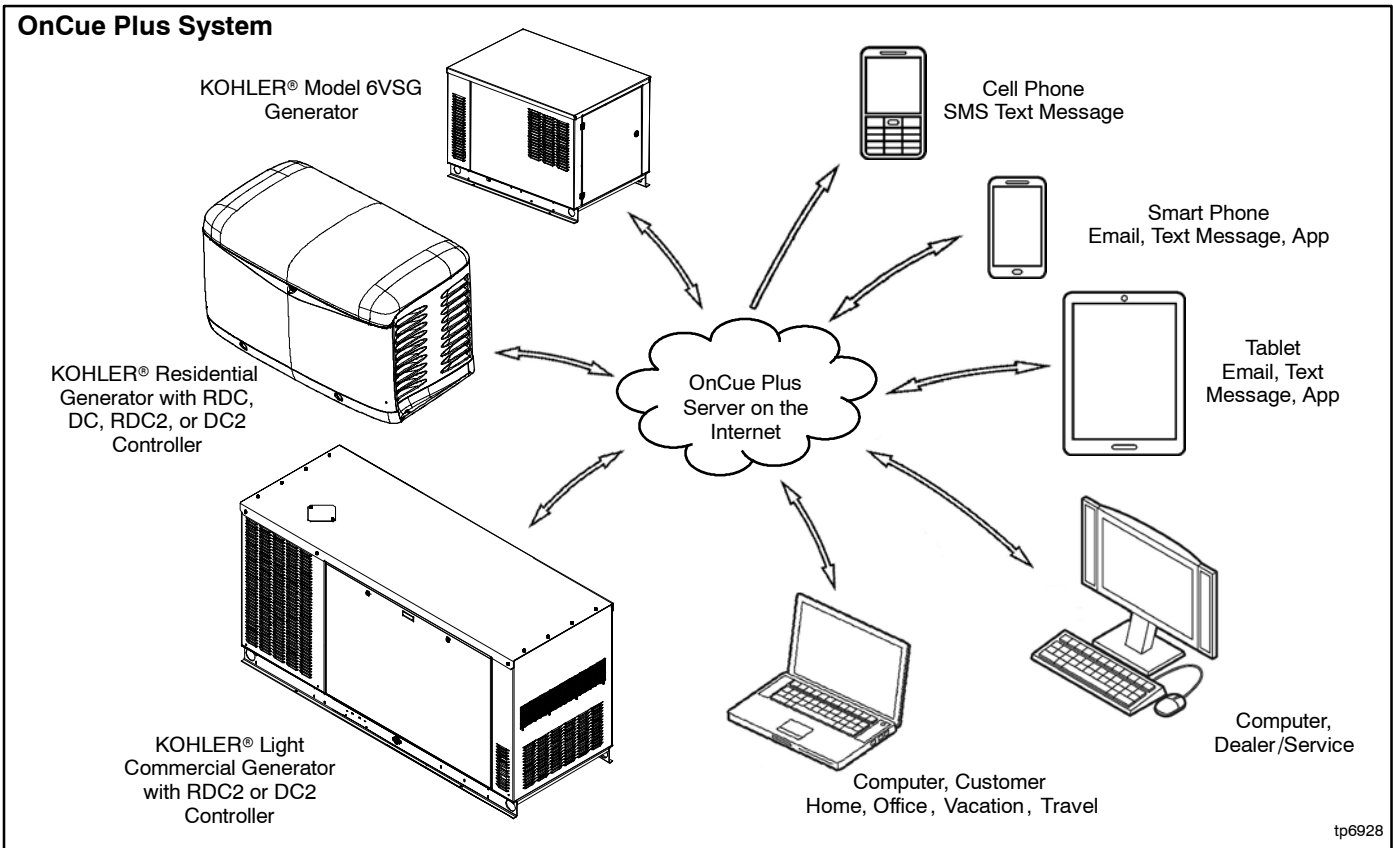
- Allows remote control of appliances and other electrical devices in your home
- Use your PC or mobile device to turn your lights or appliances on and off from any location with internet access
- The generator does not need to be running in order to use OnCue Plus for remote control of circuits connected to the PIM

System Requirements

- Personal computer (PC) requires an Internet browser with Adobe® Flash® player 12 or higher
- Mobile devices require Android™ Gingerbread 2.3 or higher or iOS 4.3 or higher
- Always-on Internet access for the generator (for example, cable, DSL, or phone line modem connected 24 hours a day)
- Internet router and network cable for generator connection to Ethernet
- Uninterruptible power supply (UPS) for modem and router (optional)

* Total power and percent of rated power can be displayed for these generator set models: 10RESV, 12RESV, 38RCL, two 14RESAs paralleled using the Kohler® PowerSync™ Automatic Paralleling Module (APM), or two 20RESAs or 20RESBs paralleled using the APM.

Adobe Flash is a registered trademark of Adobe Systems Incorporated in the United States and/or other countries.



OnCue® Plus System Kits

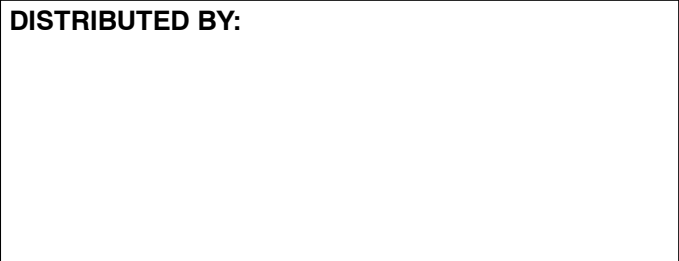
- For the RDC2/DC2/VSC controller:
 - Activation code decal
 - Ethernet connector
 - Operation manual

Note: RDC2/DC2 and VSC controllers have built-in Ethernet capability and do not require the Ethernet option board.
- For the RDC/DC controller:
 - OnCue Ethernet option board
 - Installation instructions for Ethernet board
 - Operation manual

Ethernet Option Board Specifications (RDC/DC controller only)

- Environmental specifications:
 - Operating temperature: -30°C to 70°C (-22°F to 158°F)
 - Storage temperature: -40°C to 85°C (-40°F to 185°F)
 - Humidity: 5-95% non-condensing
- Standard RJ45 jack for network connection
- Standard 10/100 Ethernet

DISTRIBUTED BY:



Availability is subject to change without notice. Kohler Co. reserves the right to change the design or specifications without notice and without any obligation or liability whatsoever. Contact your local Kohler® generator distributor for availability.

© 2014, 2015 by Kohler Co. All rights reserved.