

## GP17500E

**GP SERIES**  
Commercial/Residential  
Portable Generators

1 of 2

### Features

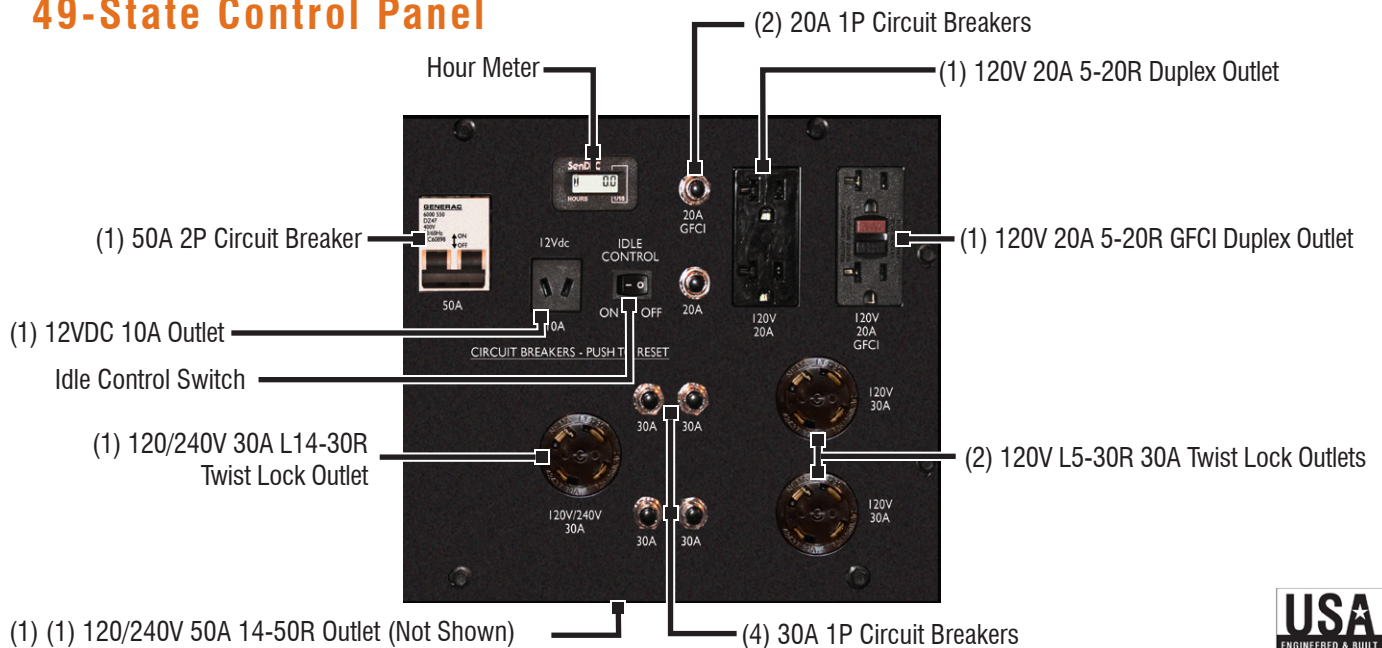
Model 5735-1 UPC: 696471057355  
(EPA/49-State)

- **The Generac OHVI® engine** incorporates full pressure lubrication with automatic style spin on oil filter for longer life engine.
- **Low-oil pressure shutdown** automatically safeguards engine from damage.
- **Large-capacity fuel tank** with incorporated fuel gauge provides durability and extended run times.
- **Hardened 1 1/4" steel tube cradle** for added strength and durability.
- **Hour Meter** tracks maintenance intervals.
- **Heavy-duty, pneumatic wheels** for reliable portability.
- **Electric Start**, battery included, provides hassle-free start-up.
- **Idle control** reduces noise and conserves fuel for extended run-times.
- **Integrated lifting eye** for easy transport and security on the job site.



**AC Rated Output Running Watts 17500**  
**AC Maximum Output Starting Watts 26250**

### 49-State Control Panel



# GP17500E

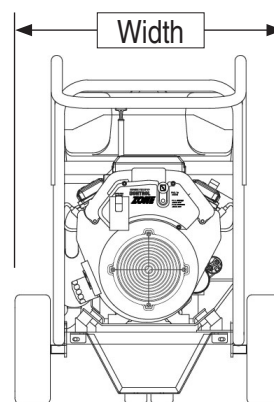
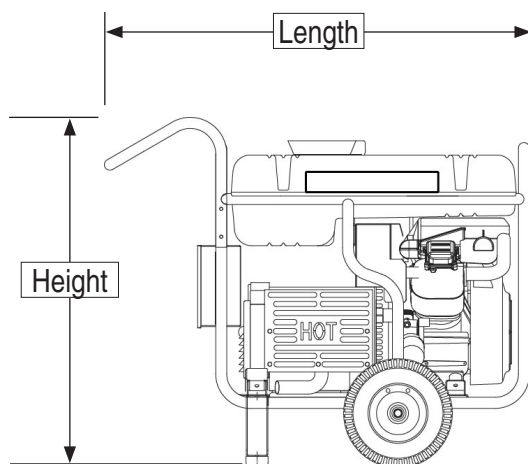
## specifications

Product Series	GP17500E
Model (Configuration)	5735-1 (EPA/49-State)
AC Rated Output Running Watts:	17500
AC Maximum Output Motor Starting Watts:	26250
AC Voltage	120/240 VAC
AC Frequency	60 Hz
Rated VAC Amperage	145.8 / 72.9
Max Rated VAC Amperage	218.75 / 109.38
Engine Displacement	992cc
Engine Type	OHVI
Engine RPM	3600
Recommended Oil	10W-30 / SAE30
Lubrication Method	Oil Pump
Automatic Voltage Regulation (AVR)	Yes
Choke Location	On Engine
Fuel Shut Off	On Fuel Tank
Starting Method	Electric
Low Oil Shutdown Method	Low Pressure
Battery Type	12VDC, Group U1, 360 CCA
Battery Charger Input Jack	Included
Neutral Bonded to Ground	No - Floating Neutral

Start Switch Type	Off/Run/Start Switch
Switch Location	On Engine
Fuel Gauge	Built-In Tank
Fuel Tank Capacity Gal (Ltr)	16 (60.6)
Run Time at 50% (Hours)	10
Handle Style	Fixed
Wheel Type	12.3 Pneumatic Wheels
Maintenance Kit	Included
Warranty - Residential	2 Year Ltd
Warranty - Commercial	1 Year Ltd

## Dimensions and Weights

Length in (mm)	48.5 (1232)
Width in (mm)	31 (787)
Height in (mm)	39.5 (1003)
Carton Length in (mm)	50 (1267)
Carton Width in (mm)	23 (584)
Carton Height in (mm)	44.25 (1125)
Unit Weight lbs (kg)	390 (177)
Shipping Weight lbs (kg)	513 (233)



**GENERAC**<sup>®</sup>

Generac Power Systems, Inc. • P.O. Box 8, Waukesha, WI 53187 • generac.com

©2013 Generac Power Systems, Inc. All rights reserved. All specifications are subject to change without notice. Bulletin 0196640-A / Printed in U.S.A. 09/19/13